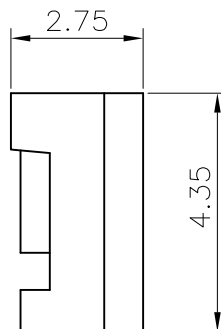
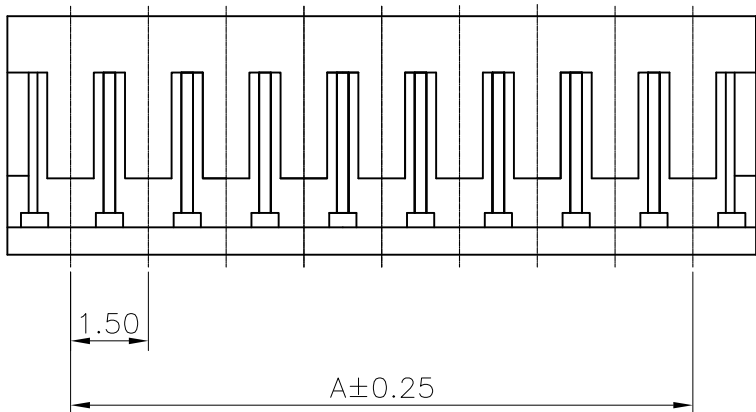
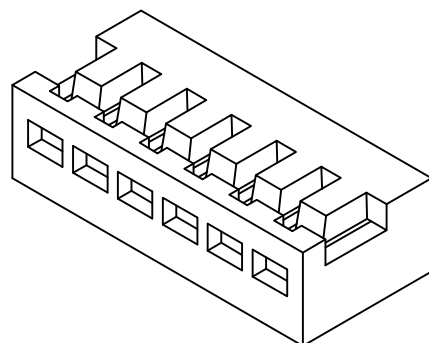
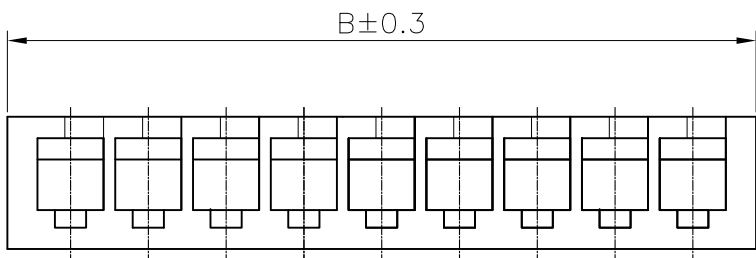


RoHS
COMPLIANT

◆ SPECIFICATIONS

- Current rating: 1A AC, DC
- Voltage rating: 200V AC, DC
- Temperature range: -40°C ~ +105°C
- Insulation resistance: 500MΩ Min.
- Withstanding voltage: 500V AC/ minute.
- Contact resistance: 20mΩ Max.

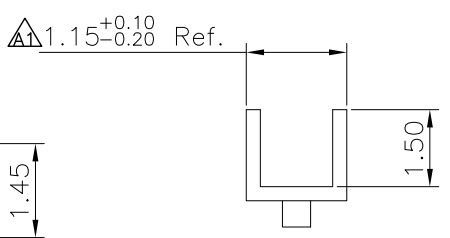
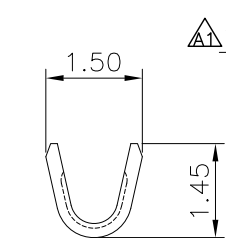
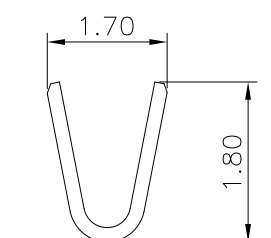
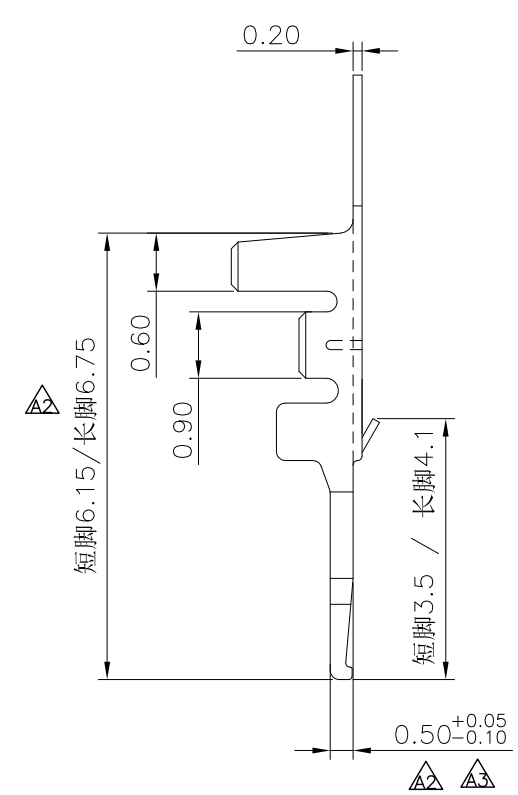
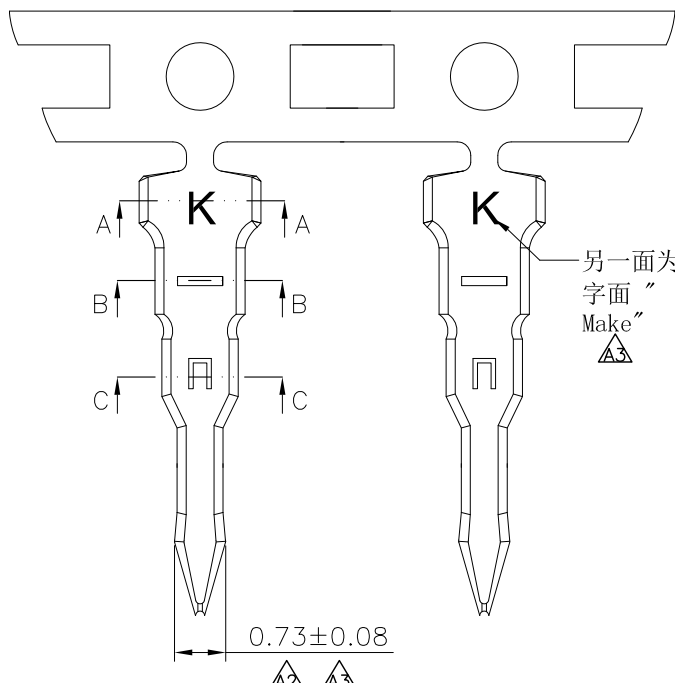
Material: Nylon 66 UL 94V-0
Suitable: KR1502 series Terminal



PART No.	Dimension	
	A	B
H150201020101A	1.50	3.70
H150201030101A	3.00	5.20
H150201040101A	4.50	6.70
H150201050101A	6.00	8.20
H150201060101A	7.50	9.70
H150201070101A	9.00	11.20
H150201080101A	10.50	12.70
H150201090101A	12.00	14.20
H150201100101A	13.50	15.70
H150201110101A	15.00	17.20
H150201120101A	16.5	18.70
H150201130101A	18.00	20.20
H150201140101A	19.50	21.70
H150201150101A	21.00	23.20
H150201160101A	22.50	24.70

F		Uniformly arrange the drawings	Shen	2021.09.28	TOLERANCE X.X ±0.30 X.XX ±0.20 X.XXX ±0.10 Angle ±2°	TITLE: SZN1.5 Housing	DRAWN: Shen 2021.09.28		KONNRA 东莞市康瑞电子有限公司 DongGuan Konnra Electronics Co.,Ltd.	
		Change the part number and frame format	TLX	2020.03.28			CHECKED:			
		MARK	REVISION DESCRIPTION	SIGNATURE			DATE	APPROVED:		
					UNIT:mm	SCALE: 1/1	SHEET: 1/1	PROJECTION	REV.: A3	DRAWING NO.: 1502H01-A-S

RoHS
COMPLIANT



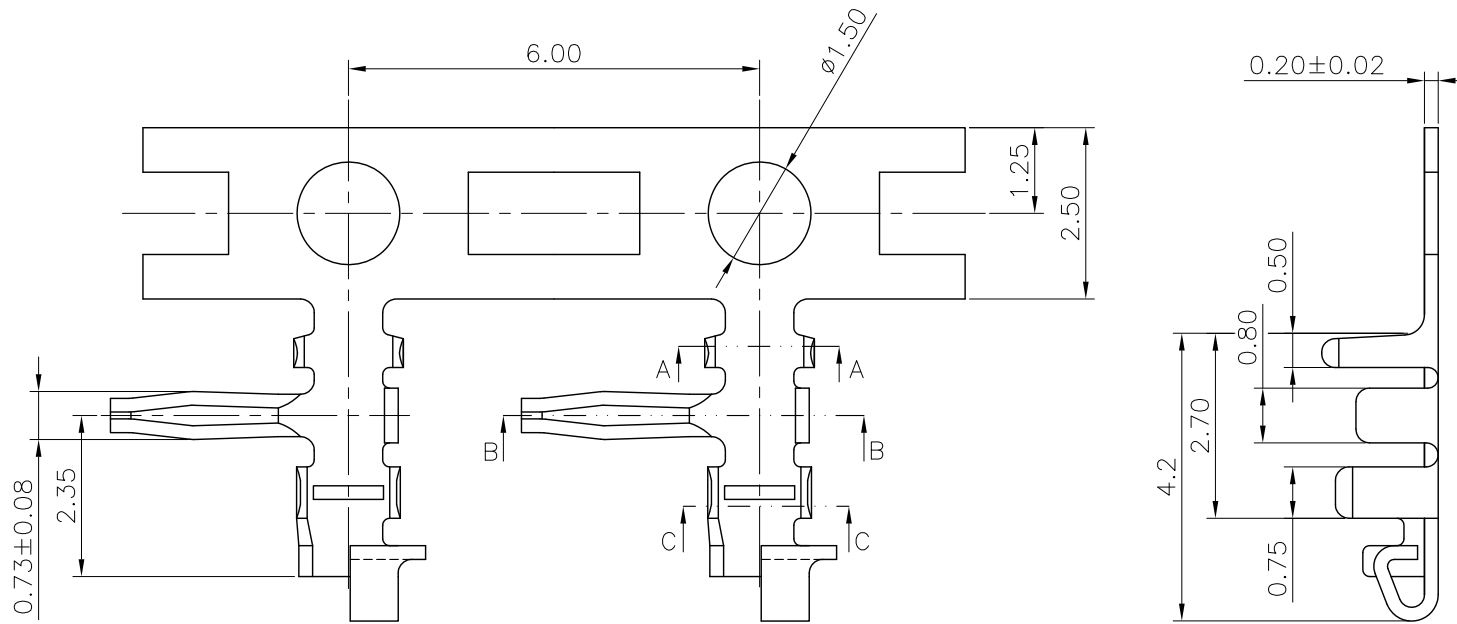
- ◆SPECIFICATIONS
- Current rating: 1A AC, DC
 - Voltage rating: 200V AC,DC
 - Temperature range: -40°C ~ +105°C
 - Insulation resistance: 500MΩ Min.
 - Withstanding voltage: 500V AC/ minute.
 - Contact resistance: 20mΩ Max.

Material: Phosphor Bronze
 Finish: Tin Plated
 Applicable wires:
 Conductor size: AWG #28~#30
 Insulation O.D: 1.0mm Max.
 Suitable: KR1502 series Housing
 Qty/reel:15,000PCS

Ordering Code:
 T1502VPT01 ** A
 └ Type
 01:Standard
 02:Long

F	△4	Change the part number and frame format	Arvin	2020.12.05	TOLERANCE X.X ±0.3 X.XX ±0.2 X.XXX ±0.1 Angle ±1°	TITLE: SZN1.5 180° Terminal	DRAWN: TLX 2020.04.22		KONNRA 东莞市康瑞电子有限公司 DongGuan Konnra Electronics Co.,Ltd. PART NO.:T1502VPT01**A		
	△3	Modify size	Wesley	2020.04.28			CHECKED:				
	△2	Update drawings	TLX	2020.04.22			APPROVED:				
	MARK	REVISION DESCRIPTION	SIGNATURE	DATE			UNIT:mm	SCALE:N/A			
	1	2	3	4	5	6	7	8	9		

RoHS
COMPLIANT



◆SPECIFICATIONS

- Current rating: 1A AC, DC
- Voltage rating: 200V AC,DC
- Temperature range: -40°C ~ +105°C
- Insulation resistance: 500MΩ Min.
- Withstanding voltage: 500V AC/ minute.
- Contact resistance: 20mΩ Max.

Material: Brass

Finish: Tin Plated

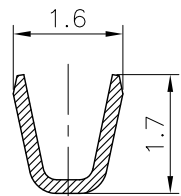
Applicable wires:

Conductor size: AWG #28~#30

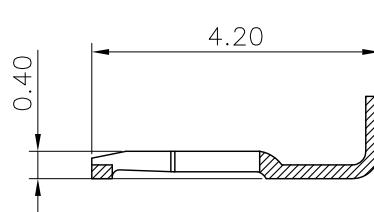
Insulation O.D.: 1.0mm Max.

Suitable: KR1502 series Housing

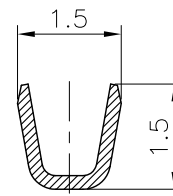
Qty/reel:10,000PCS



SECTION:A-A



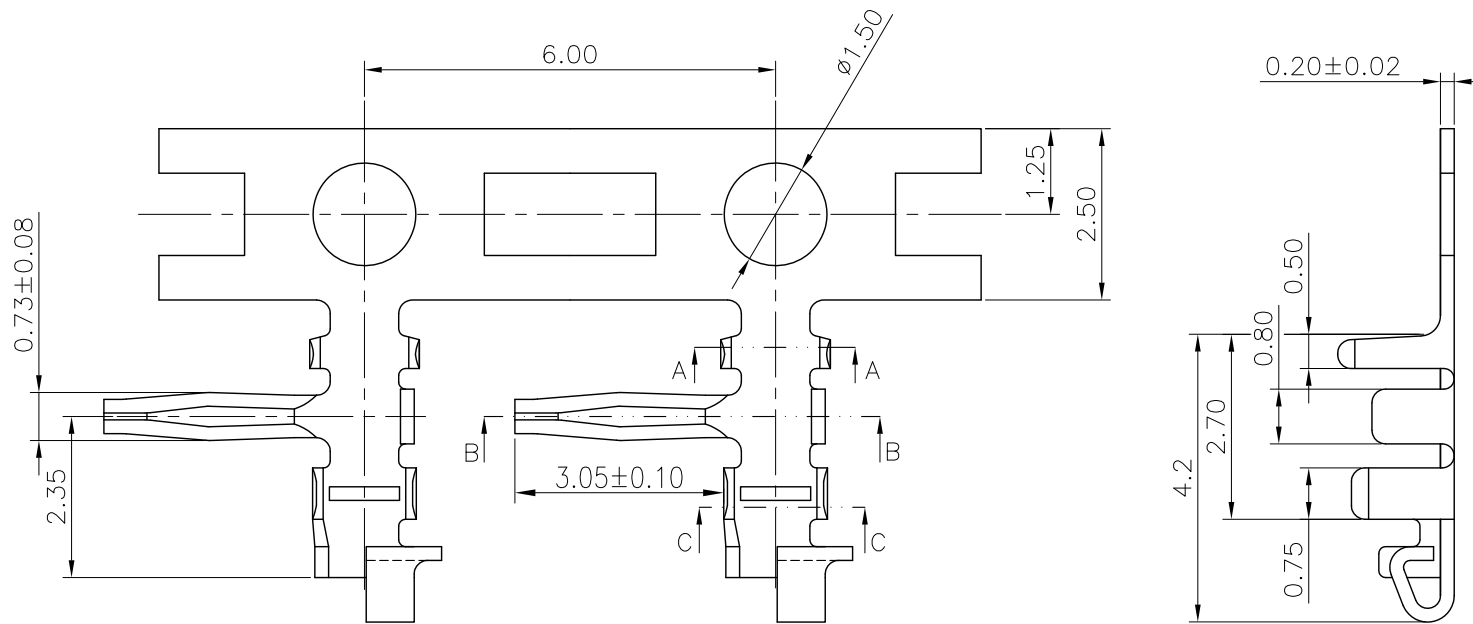
SECTION:B-B



SECTION:C-C

F				TOLERANCE	TITLE: SZN1.5 90° Terminal	DRAWN: Shen 2021.09.14	KONNRA 东莞市康瑞电子有限公司 DongGuan Konnra Electronics Co.,Ltd.	
		Uniformly arrange the drawings	Shen	2021.09.14		CHECKED:		
		Change the part number and frame format	TLX	2020.05.14		APPROVED:		PART NO.: T1502RBT0101A
	MARK	REVISION DESCRIPTION	SIGNATURE	DATE		Angle $\pm 1^\circ$		UNIT:mm SCALE:1/1 SHEET:1/1 PROJECTION

RoHS
COMPLIANT



◆ SPECIFICATIONS

- Current rating: 1A AC, DC
- Voltage rating: 200V AC, DC
- Temperature range: -40°C ~ +105°C
- Insulation resistance: 500MΩ Min.
- Withstanding voltage: 500V AC/ minute.
- Contact resistance: 20mΩ Max.

Material: Brass

Finish: Tin Plated

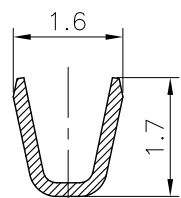
Applicable wires:

Conductor size: AWG #28~#30

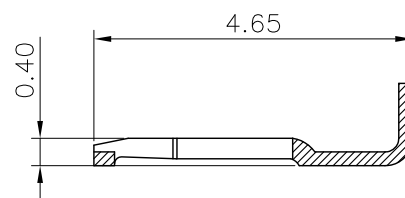
Insulation O.D: 1.0mm Max.

Suitable: KR1502 series Housing

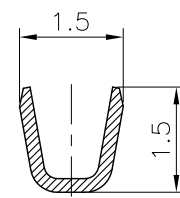
Qty/reel: 10,000PCS



SECTION:A-A



SECTION:B-B



SECTION:C-C

F				TOLERANCE	TITLE: SZN1.5 90° Terminal Lengthen	DRAWN: Shen 2021.09.14		KONNRA 东莞市康瑞电子有限公司 DongGuan Konnra Electronics Co.,Ltd.	
		Uniformly arrange the drawings	Shen	2021.09.14		CHECKED:			
		Change the part number and frame format	TLX	2020.05.14		X.X ±0.3 X.XX ±0.2 X.XXX ±0.1 Angle ±1°	APPROVED:	PART NO.: T1502RBT0102A	
	MARK	REVISION DESCRIPTION	SIGNATURE	DATE		UNIT:mm	SCALE: 1/1	SHEET: 1/1	PROJECTION